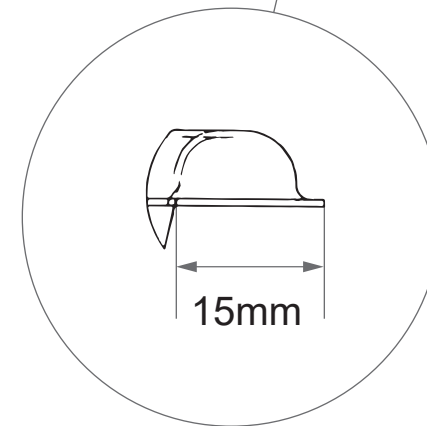


H-150mm



15mm